

# WEIGHING ASSEMBLY HJ-8-208



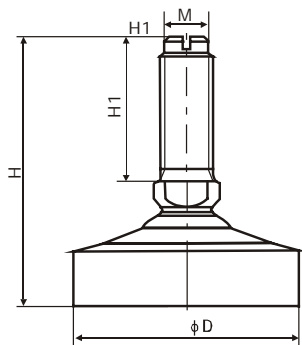
Alloy steel, rubber foot, suitable for H8C, B8D, HM8C or BM8D

Capacity	Part number
0.5t-2t	HJ-8-208-0.5/2t
2.5t-5t	HJ-8-208-2.5/5t
1Klb-5KSE	HJ-8-208-1/5KSE
5Klb-10K1b	HJ-8-208-5/10K

### Features

Easy installation, height adjustable, with a steel ball inside to center automatically, high ability of anti-side load, mainly used for floor scale, platform scale.

### Outline Dimensions in mm(inches)



Capacity	D	H1	H	M	Suitable products
0.5-2t	60 (2.36)	42 (1.65)	74 (2.91)	M12×1.75	B8D, BM8D, H8C, HM8C
2.5-5t	80 (3.15)	50 (1.97)	95 (3.74)	M18×1.5	H8C, HM8C
2.5-5t	80 (3.15)	50 (1.97)	95 (3.74)	M20×2.5	B8D, BM8D
1-5KSE	60 (2.36)	42 (1.65)	74 (2.91)	1/2-20UNF	B8D, BM8D, H8C, HM8C
5-10K	80 (3.15)	50 (1.97)	95 (3.74)	3/4-16UNF	

# WEIGHING ASSEMBLY HY-8-101



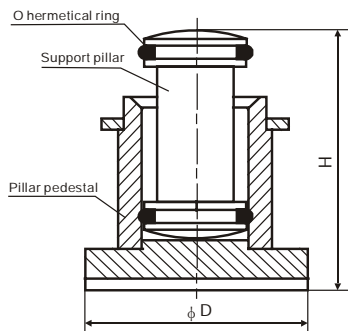
Stainless steel, assembled with H8 or HM8

Capacity	Part number
0.5t-3t	HY-8-101-0.5/3t
5t	HY-8-101-5t
10t-15t	HY-8-101-10/15t
20t-25t	HY-8-101-20/25t
30t	HY-8-101-30t
50t	HY-8-101-50t

### Features

Easy installation, anti-corrosion, non-falling structure, automatically correct dislocation during the process of side loading and lateral forcing, mainly used for truck scale, platform scale.

### Outline Dimensions in mm(inches)



Capacity	0.5-3t	5t	10-15t	20-25t	30t	50t
D	35 (1.38)	42 (1.65)	57 (2.24)	70 (2.76)	70 (2.76)	85 (3.35)
H	44.9 (1.77)	56.7 (2.23)	80.7 (3.18)	85 (3.35)	91 (3.58)	102 (4.04)