

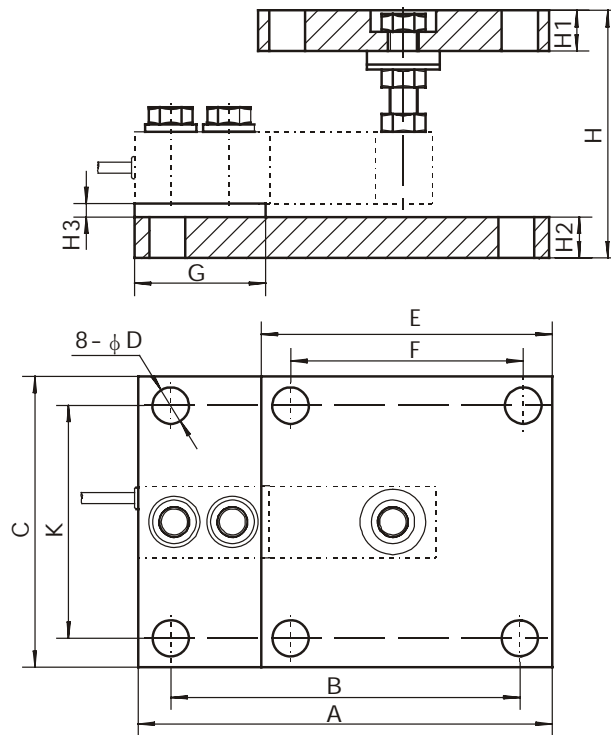
WEIGHING ASSEMBLY HM-8-402



Alloy steel, assembled with H8C, B8D, HM8C or BM8D.

Capacity	Part number
0.5-2t	HM-8-402-0.5/2t
2.5-5t	HM-8-402-2.5/5t
1-4Klb	HM-8-402-1/4K
5-10Klb	HM-8-402-5/10K

Outline Dimensions in mm(inches)



Dimensions Capacity	A	B	C	D	K	E	F	G	H1	H2	H3	H
0.5-2t (1-4K)	180.9 (7.12)	152.4 (6.00)	127 (5.00)	16 (0.63)	101.6 (4.00)	127 (5.00)	101.6 (4.00)	54 (2.13)	18 (0.71)	18 (0.71)	4 (0.16)	100-120 (3.94-4.72)
2.5-5t (5-10K)	215.9 (8.50)	177.8 (7.00)	127 (5.00)	16 (0.63)	101.6 (4.00)	127 (5.00)	101.6 (4.00)	76 (3.00)	26 (1.02)	26 (1.02)	4 (0.16)	130-150 (5.12-5.91)