

WEIGHING ASSEMBLY HD-8-301

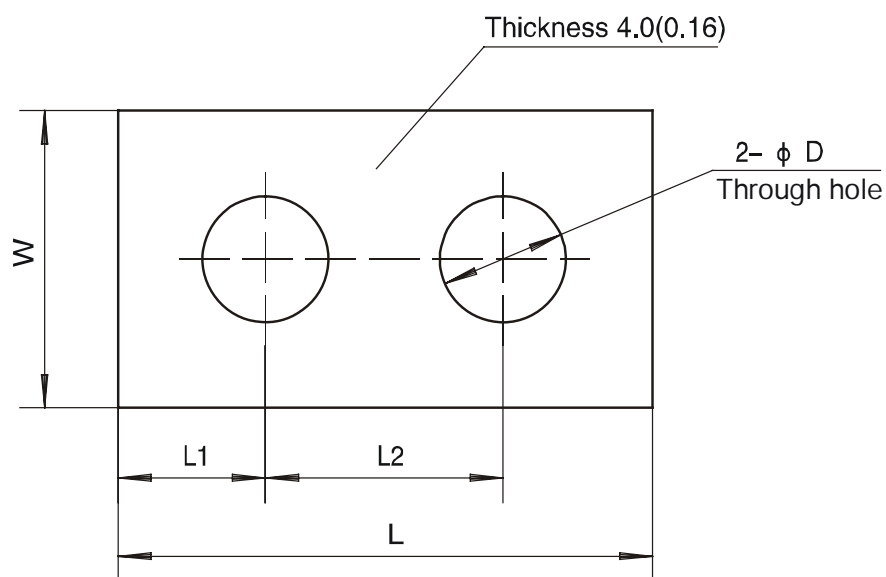


Capacity	Part number
0.5-2t	HD-8-301-0.5/2t
2.5-5t	HD-8-301-2.5/5t
1-4Klb	HD-8-301-1/4K
5-10Klb	HD-8-301-5/10K

Features

Suitable for platform scale, floor scale etc.

Outline Dimensions in mm(inches)



Capacity \ Dimensions	L	L1	L2	W	D
0.5-2t (1-4K)	54 (2.13)	13 (0.51)	25.4 (1.0)	32 (1.26)	14 (0.55)
2.5-5t (5-10K)	77 (3.03)	19 (0.75)	38 (1.50)	38 (1.50)	20 (0.79)