

WEIGHING ASSEMBLY HY-8-102

Capacity	Part number
0.5t-2t	HY-8-102-0.5/2t
2.5-5t	HY-8-102-2.5/5t

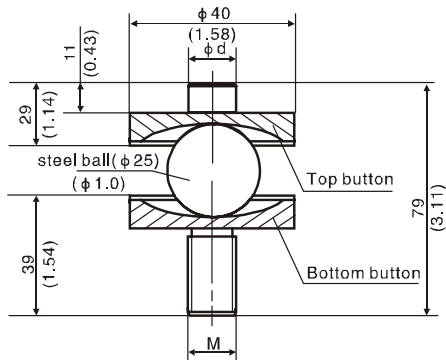
Features

Easy installation, dislocation of the steel ball can be corrected automatically, high ability of anti-side-loading and lateral forcing, mainly used for platform scale.



Alloy steel, assembled with H8C, B8D, HM8C or BM8D.

Outline Dimensions in mm(inches)



Dimensions Capacity	d	M
0.5-2	12 (0.47)	M12×1.75
2.5-5	18 (0.71)	M18×1.5

WEIGHING ASSEMBLY BY-8-104

Capacity	Part number
0.5t-2t	BY-8-104-0.5/2t
2.5-5t	BY-8-104-2.5/5t

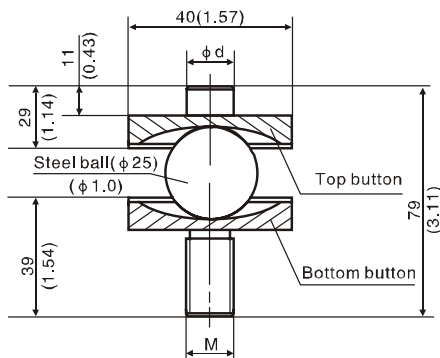
Features

Easy installation, dislocation of the steel ball can be corrected automatically, high ability of anti-side-loading and lateral forcing, mainly used for platform scale.



Stainless steel, assembled with B8D, BM8D, H8C or HM8C.

Outline Dimensions in mm(inches)



Dimensions Capacity	d	M
0.5-2	12 (0.47)	M12×1.75
2.5-5	18 (0.71)	M20×2.5