

WEIGHING ASSEMBLY HM-14-403



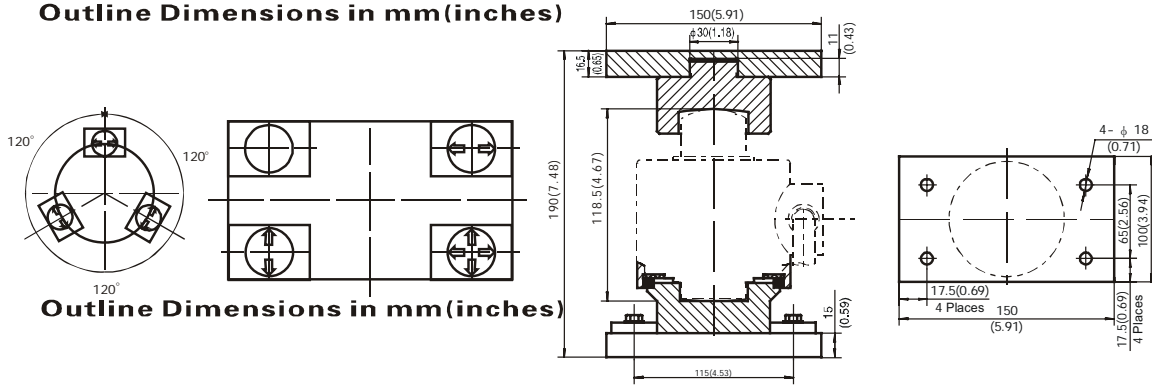
Alloy steel, assembled with HM14C or BM14C.

Capacity Part number
10t-50t HM-14-403-10/50t

Features

- ◆ Restrict horizontal movement
- ◆ Anti-turnover
- ◆ Correct dislocation automatically
- ◆ Compact structure, easy installation

Outline Dimensions in mm (inches)



WEIGHING ASSEMBLY BY-14-101



Assembled with BM14A, stainless steel, Anti-rotate with M8 screw hole.

Capacity Part number

10t, 25t BY-14-101-10/25t
40t, 60t BY-14-101-40/60t

Outline Dimensions in mm (inches)

