

ACCESSORY BM-8-406

Capacity	Part number
0.25-2t	BM-8-406-0.5/2t
5t	BM-8-406-5t
500lb-5Klb	BM-8-406-0.5/5K
10Klb	BM-8-406-10K

Features

- Compact structure, easy installation.
- With anti-reversal ability.
- With anti-overloading ability.
- Correct dislocation automatically.

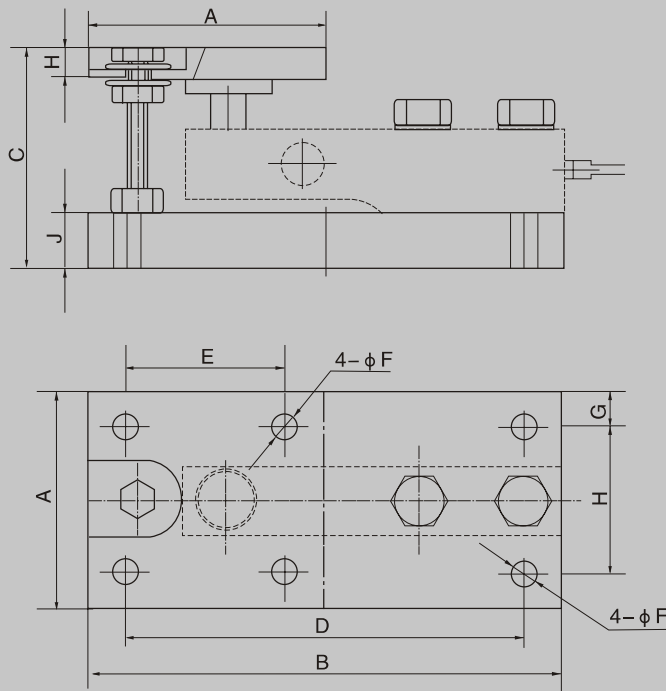


Stainless steel.
Assembled with load cell BM8H, H8H.

Specifications

Capacity	t	0.25-2		5	
		Klb	0.5-5	10	150
Ultimate overload	%FS	150	150	150	150
Max. horizontal displacement	mm	± 4	± 4	± 4	± 4
Max. Anti-turnover force	KN	10	50	50	50
Material	Stainless steel				

Outline Dimension mm (inch)



Capacity	0.25-2t		5t	
	0.5-5Klb	5Klb	10Klb	15Klb
Dimension				
A	114.3 (4.50)	152.4 (6.0)		
B	177.8 (7)	235 (9.25)		
C	104.8 (4.13)	136.5 (5.37)		
D	152.4 (6)	184.2 (7.25)		
E	88.9 (3.50)	101.6 (4.0)		
F	11 (0.43)	17.5 (0.69)		
H	254 (1.00)	32 (1.26)		
J	19 (0.75)	25.4 (1.00)		