

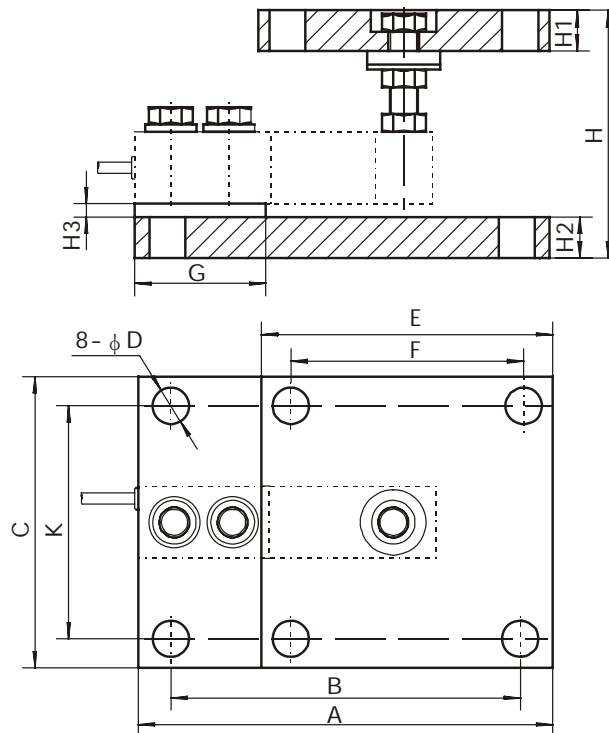
WEIGHING ASSEMBLY BM-8-404

Capacity	Part number
0.5-2t	BM-8-404-0.5/2t
2.5-5t	BM-8-404-2.5/5t
250lb-5KSE	BM-8-404-250lb/5KSE
5-10Klb	BM-8-404-5/10K



Stainless steel, assembled with B8D, BM8D, H8C or HM8C.

Outline Dimensions in mm(inches)



Dimensions	A	B	C	D	K	E	F	G	H1	H2	H3	H
Capacity												
0.5-2t (0.25-5KSE)	180.9 (7.12)	152.4 (6.00)	127 (5.00)	16 (0.63)	101.6 (4.00)	127 (5.00)	101.6 (4.00)	57 (2.24)	18 (0.71)	18 (0.71)	6.1 (0.24)	100-120 (3.94-4.72)
2.5-5t (5-10K)	215.9 (8.50)	177.8 (7.00)	127 (5.00)	16 (0.63)	101.6 (4.00)	127 (5.00)	101.6 (4.00)	76 (3.00)	26 (1.02)	26 (1.02)	6.1 (0.24)	130-150 (5.12-5.91)