

WEIGHING ASSEMBLY BJ-8-206

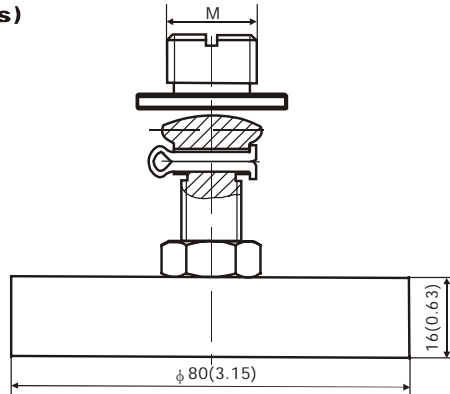
Capacity	Part number
0.25t-2t	BJ-8-206-0.25/2t
500lb-4Klb	BJ-8-208-500lb/4K



Stainless steel, rubber foot, Assembled with BM8H or H8H.

Outline Dimensions in mm(inches)

Capacity	M
0.25-2t	M12
500-4K	1/2-20UNF



WEIGHING ASSEMBLY BJ-8-207

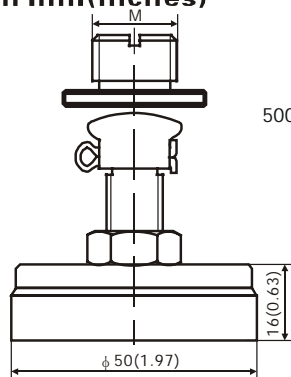
Capacity	Part number
250Kg-2t	BJ-8-207-0.25/2t
5t	BJ-8-207-5t
500lb-4Klb	BJ-8-207-500lb/4K
10Klb	BJ-8-207-10K



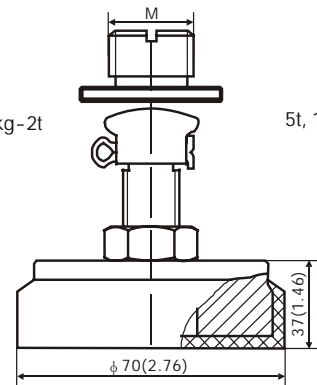
Stainless steel, rubber foot, assembled with BM8H or H8H.

Outline Dimensions in mm(inches)

Capacity	Part number
250kg-2t	M12
5t	M20
500lb-4Klb	1/2-20UNF
10Klb	3/4-16UNF



500lb-4Klb, 250kg-2t



5t, 10Klb