



Alloy steel, surface flange treatment, spray paint, hermetically sealed. Suitable for the special measuring equipments.

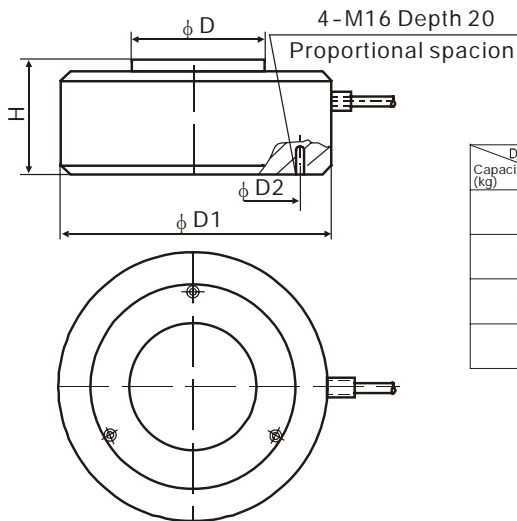
Capacity	Accuracy	Part number
1MN	G2	H2A-G2-1MN-5T
2MN	G2	H2A-G2-2MN-5T
3MN	G2	H2A-G2-3MN-5T
4MN	G2	H2A-G2-4MN-5T
5MN	G2	H2A-G2-5MN-5T
1MN	G3	H2A-G3-1MN-5T
2MN	G3	H2A-G3-2MN-5T
3MN	G3	H2A-G3-3MN-5T
4MN	G3	H2A-G3-4MN-5T
5MN	G3	H2A-G3-5MN-5T
1MN	G5	H2A-G5-1MN-5T
2MN	G5	H2A-G5-2MN-5T
3MN	G5	H2A-G5-3MN-5T
4MN	G5	H2A-G5-4MN-5T
5MN	G5	H2A-G5-5MN-5T
1MN	G10	H2A-G10-1MN-5T
2MN	G10	H2A-G10-2MN-5T
3MN	G10	H2A-G10-3MN-5T
4MN	G10	H2A-G10-4MN-5T
5MN	G10	H2A-G10-5MN-5T

**Specifications**

Accuracy Class	G2	G3	G5	G10	Temperature effect on zero (%FS/10C)	0.1
Rated output (mV/V)	≥2.0				Temperature, Compensated (C)	-10~+40
Combined error (%FS)	0.2	0.3	0.5	1.0	Temperature, Operating (C)	-35~+65
Non-linearity (%FS)	0.2	0.3	0.5	1.0	Excitation, Recommended (V)	5~12(DC)
Non-repeatability (%FS)	0.1				Excitation, Max. (V)	18(DC)
Creep (%FS/30min)	0.1				Safe Overload (%FS)	150
Input Resistance (Ω)	1072±5				Ultimate Overload (%FS)	300
Output Resistance (Ω)	1050±5				Protection Class	IP 67
Insulation Resistance (MΩ)	≥5000(50VDC)				Cable Length (m)	5
Zero Balance (%FS)	2.0				Cable spec	4-wire shielded cable φ 5mm
Temperature effect on span (%FS/10C)	0.05					

Connections Red Input (+) Black Input (-) Green Output(+) White Output(-)

**Outline Dimensions in mm(inches)**



Dimensions Capacity (kg)	100	200	300	400	500
D	41 (1.61)	60 (2.36)	73 (2.87)	92 (3.62)	115 (4.53)
D1	260 (10.24)	290 (11.42)	330 (12.99)	400 (15.75)	400 (15.75)
D2	200 (7.87)	225 (8.86)	251 (9.88)	296 (11.65)	307 (12.09)
H	80 (3.15)	104 (4.09)	123 (4.84)	132 (5.20)	132 (5.20)