

# LOAD CELL H8H



- H8H load cells are available for manifold accurate measurement in the capacities 0.25t to 5t
- Alloy steel, cover welded, oil-proof, waterproof and anti-corrosion, suitable for all kinds of environments.
- Single shear beam, easy installation, suitable for electronic truck scale, track scale, hopper scale and other electronic weighing devices.
- It is safety and anti-explosion product that can be used in atrocious weather and hazardous areas .

### Important Features

- Capacities: 0.25t-5t.
- High accuracy.
- Alloy steel construction.
- Low profile and nice exterior.

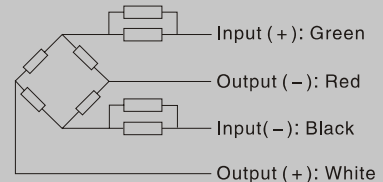
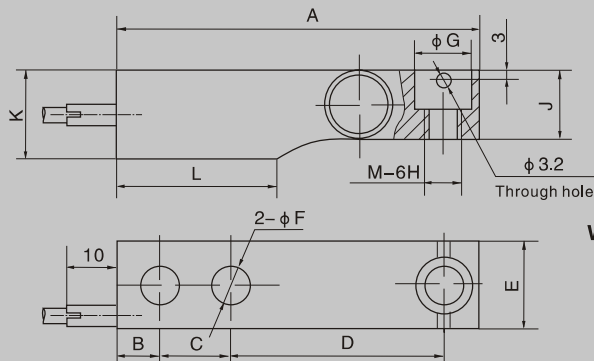
### Accessories

- HJ-8-217
- HJ-8-218

### Specifications

Capacity	t	0.25/0.5/1/2/5			
		C2	C3	A5M	B10M
Accuracy class					
Maximum number of verification intervals	n <sub>max</sub>	2000	3000	5000	10000
Minimum load cell verification interval	v <sub>min</sub>	E <sub>max</sub> /5000	E <sub>max</sub> /7500	E <sub>max</sub> /15000	E <sub>max</sub> /10000
Combined error	(%FS)	≤ ±0.030	≤ ±0.020	≤ ±0.026	≤ ±0.050
Creep	(%FS/30min)	≤ ±0.023	≤ ±0.016	≤ ±0.017	≤ ±0.040
Temperature effect on sensitivity	(%FS/10°C)	≤ ±0.017	≤ ±0.011	≤ ±0.013	≤ ±0.040
Temperature effect on zero	(%FS/10°C)	≤ ±0.029	≤ ±0.019	≤ ±0.014	≤ ±0.020
Output sensitivity	(mv/v)	2.0 ± 0.002			
Input resistance	(Ω)	350 ± 3.5			
Output resistance	(Ω)	351 ± 2			
Insulation resistance	(MΩ)	≥ 5000(50VDC)			
Zero balance	(%FS)	1.0			
Temperature, compensated	(°C)	-10 ~ +40			
Temperature, allowed	(°C)	-35 ~ +65			
Excitation, Recommended	(V)	5 ~ 12(DC)			
Excitation, Max	(V)	18(DC)			
Safe overload	(%FS)	120			
Ultimate overload	(%FS)	150			

### Outline Dimension mm (inch)



### Wiring:

- Shielded, 4 conductor cable: Φ5 mm.
- Standard cable length: 4m.
- Cable type and cable length for customer's own application are available on request.

Dimension Capacity	A	B	C	D	E	ΦF	ΦG	H	J	K	L	M
5.0t	172 (6.77)	19.1 (0.75)	38.1 (1.5)	95.3 (3.75)	38 (0.81)	20.5 (0.81)	30.2 (1.19)	20 (0.79)	40(1.57)	44 (1.73)	76.2 (3.0)	M20
2.0t									32(1.26)	35.9(1.4)		
1.0t	130 (5.12)	15.5 (0.61)	25.4 (1.0)	76.2 (1.25)	31.8 (1.25)	13 (0.51)	20.5 (0.81)	14.2 (0.56)	28(1.1)	31.8(1.5)	57.1 (2.25)	M12
500kg									26(1.02)			
250kg									25.5(1.0)			