



Alloy steel, nickel-plated, adhesive-sealed with steel ball to bear the weight.
 Suitable for platform scales, track scales, hopper scales and other electronic weighing devices.

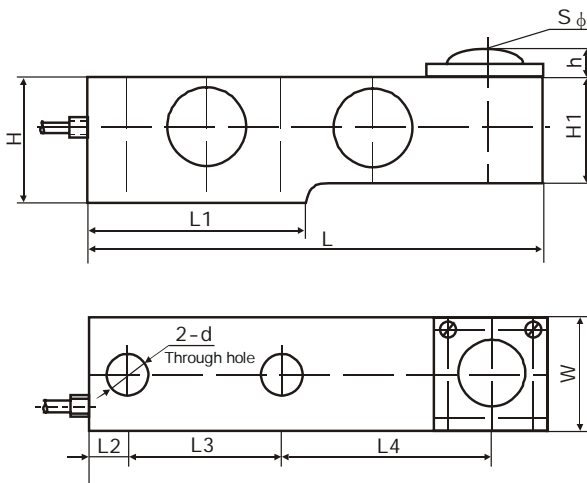
Capacity	Accuracy	Part number
500kg	C3	H8B-C3-500kg-3.5B6
1.0t	C3	H8B-C3-1.0t-3.5B6
2.0t	C3	H8B-C3-2.0t-3.5B6
2.5t	C3	H8B-C3-2.5t-3.5B6
3.0t	C3	H8B-C3-3.0t-3.5B6
4.0t	C3	H8B-C3-4.0t-3.5B6
5.0t	C3	H8B-C3-5.0t-3.5B6
8.0t	C3	H8B-C3-8.0t-3.5B6
10t	C3	H8B-C3-10t-3.5B6

Specifications

Accuracy Class	C3	Temperature effect on zero (%FS/10°C)	0.018
Rated output (mV/V)	2.0±0.004	Temperature, Compensated (°C)	-10~+40
Combined error (%FS)	0.02	Temperature, Operating (°C)	-35~+65
Non-linearity (%FS)	0.02	Excitation, Recommended (V)	5~12(DC)
Non-repeatability (%FS)	0.01	Excitation, Max. (V)	18(DC)
Creep (%FS/30min)	0.02	Safe Overload (%FS)	150
Input Resistance (Ω)	350±3.5	Ultimate Overload (%FS)	300
Output Resistance (Ω)	350±3.5	Protection Class	IP 67
Insulation Resistance (MΩ)	≥5000(50VDC)	Cable Length (m)	3.5
Zero Balance (%FS)	1.5	Cable spec	6-wire shielded cable φ 6.2mm
Temperature effect on span (%FS/10°C)	0.014		

Connections Red Input(+) Yellow Input(-) Blue Output(+) White Output(-)
 Brown Sense(+) Black Sense(-) Transparence (Shield)

Outline Dimensions in mm(inches)



Dimensions Capacity(t)	L	L1	L2	L3	L4	H	H1	d	W	h	Sφ
0.5-2.5	203 (7.99)	102 (4.02)	19 (0.75)	63.5 (2.50)	98 (3.86)	43 (1.69)	37 (1.46)	13 (0.51)	37 (1.46)	15.4 (0.61)	1"
3, 4	203 (7.99)	102 (4.02)	19 (0.75)	63.5 (2.5)	98 (3.86)	52 (2.05)	44 (1.73)	17 (0.67)	40 (1.57)	15.4 (0.61)	
5	235 (9.25)	118 (4.65)	21 (0.83)	66.5 (2.62)	124 (4.88)	52 (2.05)	48 (1.89)	21 (0.83)	48 (1.89)	18.16 (0.71)	19/16"
8	235 (9.25)	118 (4.65)	22 (0.87)	74 (2.91)	114 (4.49)	52 (2.05)	48 (1.89)	21 (0.83)	48 (1.89)	18.16 (0.71)	
10	279 (10.98)	140 (5.51)	25 (0.98)	83 (3.27)	140 (5.51)	82.6 (3.25)	60 (2.36)	27.5 (1.08)	60 (2.36)	28.4 (1.12)	2"