



17 – 4PH stainless steel, welding – sealed.
 Suitable for floor scales, vehicle – test line, hopper scales and other electronic weighing devices.
 Weighing Assembly Available- See the details on page 81, 82, 84, 85, 86, 88 and 89.

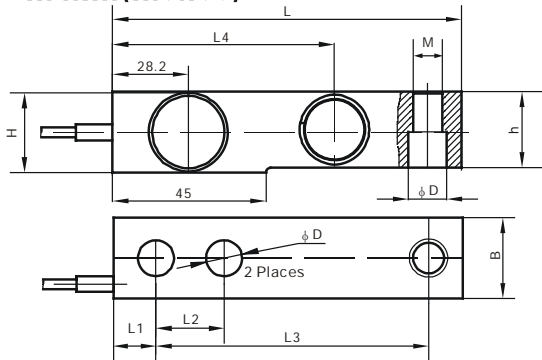
Capacity	Accuracy	Part number
500kg	C3	BM8D-C3-500kg-6B
1t	C3	BM8D-C3-1t-6B
2t	C3	BM8D-C3-2t-6B
2.5t	C3	BM8D-C3-2.5t-6B
3t	C3	BM8D-C3-3t-6B
5t	C3	BM8D-C3-5t-6B
7.5t	C3	BM8D-C3-7.5t-6B
10t	C3	BM8D-C3-10t-6B
1K	N5	BM8D-N5-1K-6B
1.5K	N5	BM8D-N5-1.5K-6B
2K	N5	BM8D-N5-2K-6B
2.5K	N5	BM8D-N5-2.5K-6B
7.5K	N5	BM8D-N5-7.5K-6B
10K	N5	BM8D-N5-10K-6B
15K	N5	BM8D-N5-15K-6B
20K	N5	BM8D-N5-20K-6B
2.5KLE	N5	BM8D-N5-2.5KLE-6B
5KSE	N5	BM8D-N5-5KSE-6B

Specifications

Accuracy Class	C3	N5	Temperature effect on zero (%FS/10°C)	0.018
Rated output (mV/V)	3±0.008		Temperature, Compensated (°C)	-10~+40
Combined error (%FS)	0.02		Temperature, Operating (°C)	-35~+65
Non-linearity (%FS)	0.02		Excitation, Recommended (V)	5-12(DC)
Non-repeatability (%FS)	0.01		Excitation, Max. (V)	18(DC)
Creep (%FS/30min)	0.02		Safe Overload (%FS)	150
Input Resistance (Ω)	350±3.5		Ultimate Overload (%FS)	300
Output Resistance (Ω)	350±3.5		Protection Class	IP 68
Insulation Resistance (MΩ)	≥5000(50VDC)		Cable Length (m)	6
Zero Balance (%FS)	1.0		Cable spec	4-wire shielded PU cable
Temperature effect on span (%FS/10°C)	0.014			

Connections Red Input(+) Black Input(-) Green Output(+) White Output(-) Transparence (Shield)

Outline Dimensions in mm(inches)



Capacity	B	D	H	h	L	L1	L2	L3	L4	L5	M
1K	30.7 (1.21)	13.4 (0.53)	30.2 (1.9)	24.76(0.98)					82.4 (3.25)		1/2-20UNF
1.5K, 2K				26(1.02)							
2.5K				27(1.06)	130 (5.12)	15.7 (0.62)	25.4 (1.00)	101.6 (4.00)		57.1 (2.25)	
3K-5KSE				27.95(1.1)							
0.5t	30.7 (1.21)	13.4 (0.53)	31.3 (1.23)	24.76(0.98)					79.5 (3.13)		M12×1.75
1t				26(1.02)							
1.5t-2t				27.95(1.1)							
2.5KIE				27(1.06)							
5K-15K	30.7 (1.21)	19.8 (0.78)	36.8 (1.45)	31.95(1.26)	171.1 (6.75)	19 (0.75)	38.1 (1.50)	133.3 (5.25)	111.1 (4.37)	171.1 (6.38)	3/4-16UNF
2.5t-5t		20.5(0.81)									M20×2.5
20K	49.5 (1.95)	26.9 (1.06)	49.5 (1.95)	40(1.57)	222.2 (8.75)	25.4 (1.00)	50.8 (2.00)	171.5 (6.75)	144 (5.75)	102 (4.02)	1/2-20UNF
7.5t-10t											M24×2