

- Column construction, stainless steel.
- Hermetically sealed, IP68.
- Suitable for truck scales, track scales, hopper scales, and other electronic weighing devices.



Capacity	Accuracy	Part-Number
10t	C3	BM14G-C3-10t-15B-SC*
20t	C3	BM14G-C3-20t-15B-SC*
30t	OIML C3	BM14G-C3-30t-15B-SC*
40t	OIML C3	BM14G-C3-40t-15B-SC*
50t	OIML C3	BM14G-C3-50t-15B-SC*
10t	C3	BM14G-C3-10t-15B-SC-W1
20t	C3	BM14G-C3-20t-15B-SC-W1
30t	OIML C3	BM14G-C3-30t-15B-SC-W1
40t	OIML C3	BM14G-C3-40t-15B-SC-W1
50t	OIML C3	BM14G-C3-50t-15B-SC-W1

Not available in the following countries: D, UK, F, IT, NL

Specification:

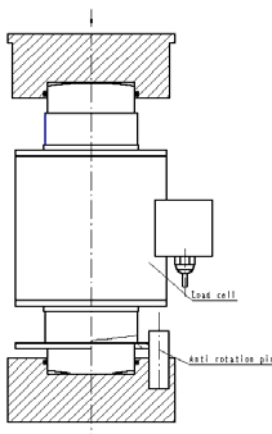
Accuracy class		OIML R60 C3
Output sensitivity	mV/V	¹⁾ 2.0 ± 0.002
Maximum capacity (E _{max})	t	10, 20, 30, 40, 50
Maximum number of load cell intervals (n _{LC})		3000
Ratio of minimum LC verification interval Y = E _{max} / V _{min}	E _{max}	10000, 12000
Combined Error	%FS	± 0.0200
Minimum dead load	kg	0
Safe overload	%FS	150
Zero balance	%FS	< ± 1.0
Excitation, recommended voltage	V	5 ~ 12 DC
Excitation maximum	V	18 DC
Terminal resistance, input	Ω	¹⁾ 700 ± 7
Terminal resistance, output	Ω	¹⁾ 700 ± 7
Insulation impedance	MΩ	≥5000 (50VDC)
Temperature range, compensated	°C	-10~+40
Temperature range, operating	°C	-35 ~ +65
Element material		Stainless steel
Protection class		IP68
Cable Length (4 wire)	m	15

Connections: **Green** Input(+) **Black** Input(-) **White** Output(+) **Red** Output(-) **Transparence** (Shield)

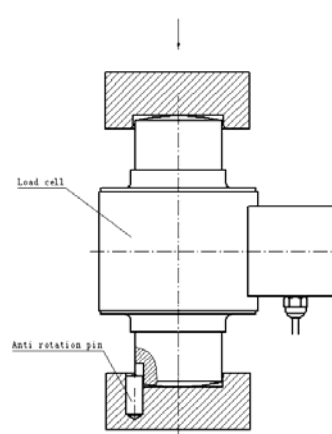
1) Output is current calibrated

Load introduction

Structure 1:

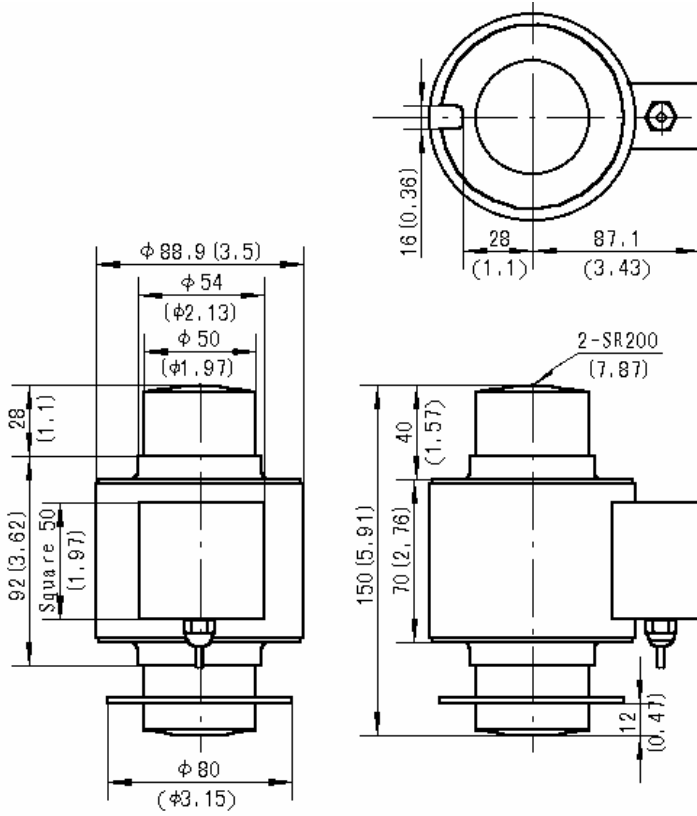


Structure 2: (W1 Version)



Outline Dimensions in mm(inches)

Structure 1:



Structure 2: (W1 Version)

