



Capacity	Accuracy	Part number
10t	C3	BM14A-C3-10t-10B-SC
25t	C3	BM14A-C3-25t-20B-SC
40t	C3	BM14A-C3-40t-20B-SC
60t	C3	BM14A-C3-60t-20B-SC
100t	C3	BM14A-C3-100t-20B-SC
25Klb	N10	BM14A-N10-25K-9YB
50Klb	N10	BM14A-N10-50K-9YB
100Klb	N10	BM14A-N10-100K-9YB
200Klb	N10	BM14A-N10-200K-9YB

17-4PH stainless steel, welding-sealed, lightning protection can reach 10000V, recover automatically.
Suitable for truck scales, track scales, hopper scales and other electronic weighing devices.

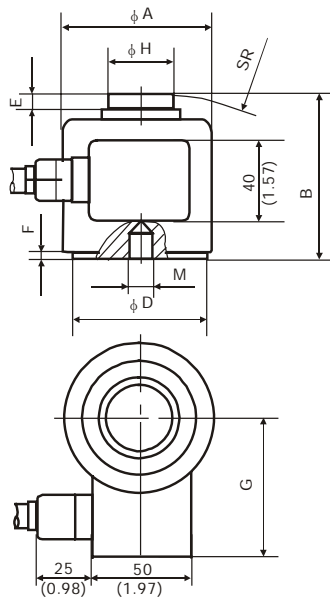
Weighing Assembly Available - See the model BY-14-101 on page 96.

Specifications

Accuracy Class	N10	OIML R60 C3	Temperature effect on zero (%FS/10°C)	0.017
Rated output (mV/V)	2.0 ± 0.002		Temperature, Compensated (°C)	-10 - +40
Combined error (%FS)	0.02		Temperature, Operating (°C)	-35 - +65
Non-linearity (%FS)	0.017		Excitation, Recommended (V)	5-12(DC)
Non-repeatability (%FS)	0.01		Excitation, Max.(V)	18(DC)
Creep (%FS/30min)	0.02		Safe Overload (%FS)	150
Input Resistance (Ω)	450 ± 5		Ultimate Overload (%FS)	300
Output Resistance (Ω)	480 ± 5		Protection Class	IP68
Insulation Resistance (MΩ)	≥ 5000(50VDC)		Cable Length (m)	10(10t); 20(25t-100t); 9(25K-200K)
Zero Balance (%FS)	1.0		Cable spec	4-wire shielded PU cable φ 7.5
Temperature effect on span (%FS/10°C)	0.014			

Connections Green Input(-) Black Input(-) White Output(+) Red Output(-) Transparence (Shield)

Outline Dimensions in mm(inches)



Capacity(t/Klb)	10,25 (25,50)	40,60 (100)	100 (200)
Dimensions			
A	73 (2.87)	105 (4.13)	152.4 (6.00)
B	82.5 (3.25)	127.0 (5.00)	184.2 (7.25)
C	12 (0.47)	34 (1.34)	72.3 (2.85)
D	58 (2.28)	82.5 (3.25)	123.8 (4.87)
E	6.5 (0.26)	8.0 (0.31)	23.6 (0.93)
F	1.8 (0.07)	11.0 (0.43)	21.8 (0.86)
G	64 (2.52)	87 (3.43)	108.2 (4.26)
H	31.8 (1.25)	58.7 (2.31)	79.2 (3.12)
M	M12 × 1.75 1/2-20UNF	M20 × 2.5 3/4-16UNF	
SR	152 (5.98)	152 (5.98)	432 (17.01)